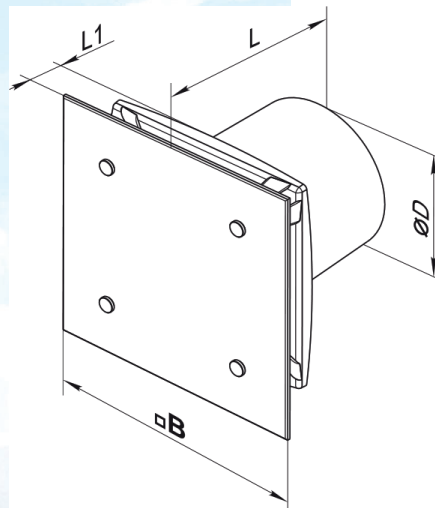
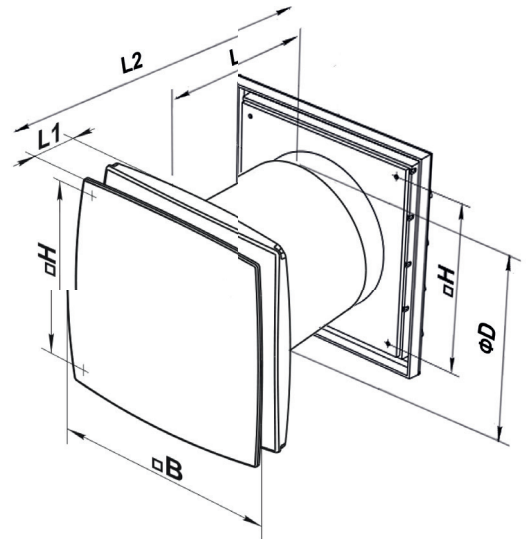




### Through Wall & Ceiling Mount Fan Packs

**Fan Kits Include**

- VFK150LD: Vents V150DLT Fan 310 m<sup>3</sup>hr, 150mm x 375mm Rigid Aluminium Duct, 150mm Flexible PVC Duct and 150mm Gravity Grille.
- VFK150LDA: Vents V150DLTA Fan 310 m<sup>3</sup>hr, 150mm x 375mm Rigid Aluminium Duct, 150mm Flexible PVC Duct and 150mm Gravity Grille.
- VFK150MD: Vents V150MD Fan 310 m<sup>3</sup>hr, 150mm x 375mm Rigid Aluminium Duct, 150mm Flexible PVC Duct and 150mm Gravity Grille.



ESC Code	oD	B	H	L	L1	L2
VFP100LD	100	152	152	126	30	205
VFP125LD	125	177	177	135	34	214
VFP150LD	150	206	206	154	36	233
VFP150LDA	150	206	206	150	36	233
VFK150LD	150	206	206	150	36	233
VFK150LDA	150	206	206	150	36	233
VFK150MD	150	226	226	157	39	233